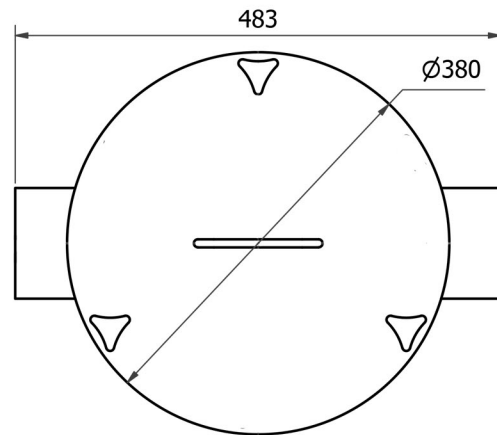
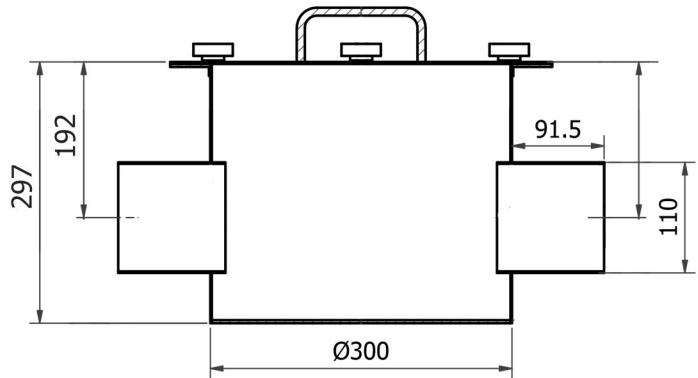
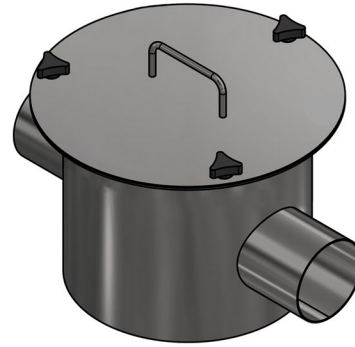


GCT 190SP SAMPLE POINT SKU:153-001-A000

Stainless steel sample point (sample tee) for installation on the outlet or effluent line of a grease trap. It allows facility operators to attain a liquid sample of the treated wastewater before it enters the municipal sewer system or the environment.

Specification

Standard (RSA): SANS 10252-2
 Standard (EN): EN 1825: 2004
 Material (EN): 1.4301 (304) or 1.4404 (316)
 Tank wall thickness (mm): 1.5/ 3
 Surface finish: Pickled and passivated, polished
 No. of lids: 1
 Lid seal: No
 Lid load class: None (non-trafficable lid)
 Inlet/ Outlet diameter (mm): 110
 Height from top to inlet centre [invert] (mm): 192
 Height from top to outlet centre [invert] (mm): 192
 Weight (kg): 8.8



Order Sheet:

Please mark option/s in each box with an X. * (asterisk) indicates special order. If no options are selected the product is supplied as standard.

MATERIAL	
select one X	
<input type="checkbox"/>	304
<input type="checkbox"/>	316*

Qty:	Name:	Signature:	Date:	Company:	PO no:
------	-------	------------	-------	----------	--------