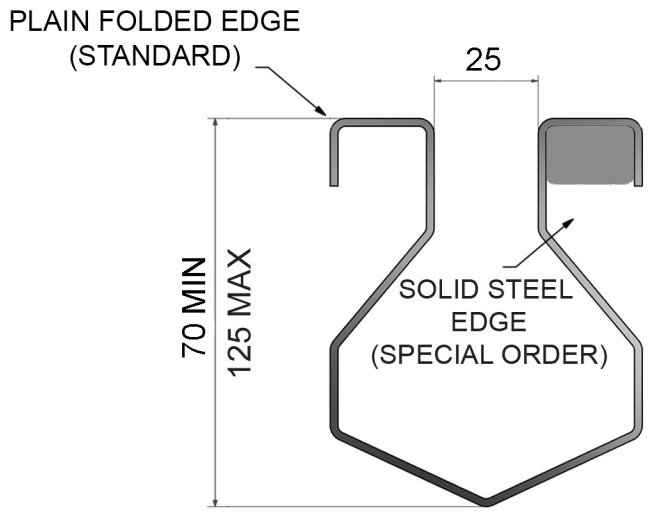
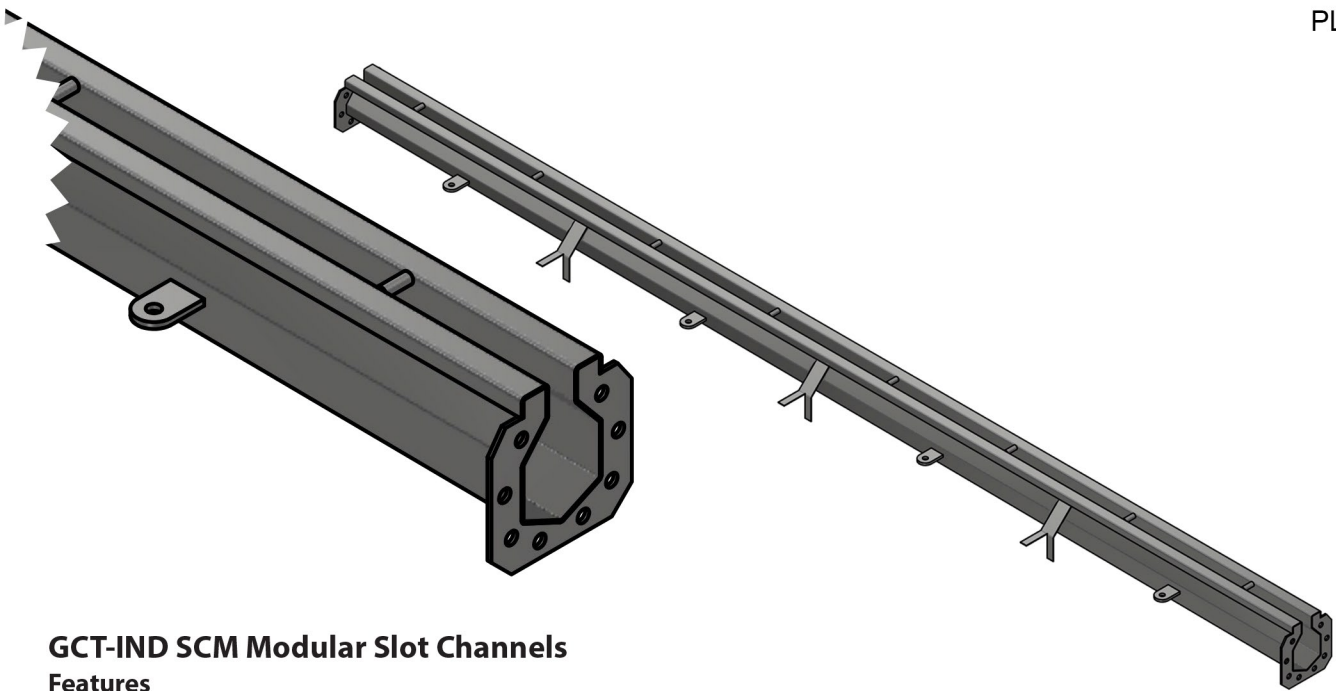


GCT-IND SCM MODULAR SLOT CHANNELS



GCT-IND SCM Modular Slot Channels

Features

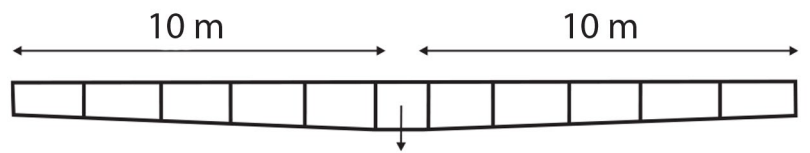
- Manufactured from 304 stainless steel (316 on special order)
- 1.5mm material thickness
- Supplied with adjustable levelling legs
- Grating or alternative solid cover available
- 65mm channel width is standard
- 25mm channel opening is standard
- Compatible with GCT 200V or GCT 200H floor drain outlet

Standard GCT-IND SCM Modular Slot Channels are designed with the bottom slope of 1/200 (0.5% fall) and do not require a slope of the floor for draining. A Vee-shaped channel bottom provides higher drainage efficiency. GCT-IND SCM Modular Slot Channels are manufactured in 2001mm sections with flanged ends to be bolted together on site with Nitrile sealing gaskets.

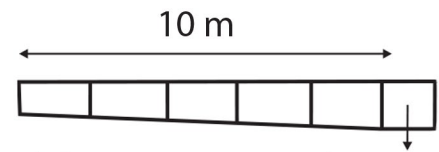
- Flow Rate:** 10L/sec per metre (as per EN 1253-1)
Load Class: K3 (PLAIN FOLDED EDGE)
 L15 (PLAIN FOLDED EDGE)
 R50 (SOLID STEEL EDGE)
 M125 (SOLID STEEL EDGE)
 N250 (SOLID STEEL EDGE)

General Applications:

Ideal for washdown or breakwater applications in food, dairy, beverage and pharmaceutical factories with no or limited solids.



Up to 20 metre modular 0.5% (1:200) slope to center outlet available



Up to 10 metre modular 0.5% (1:200) slope to side outlet available