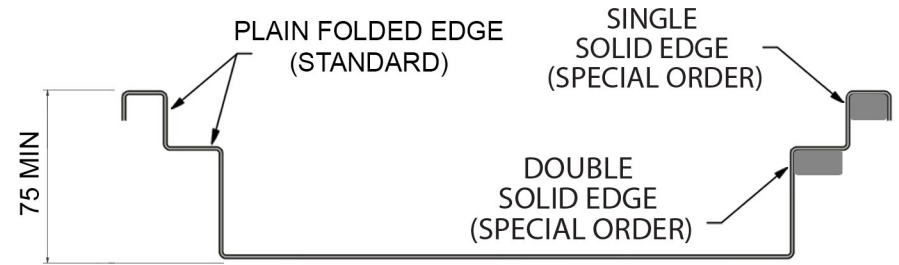
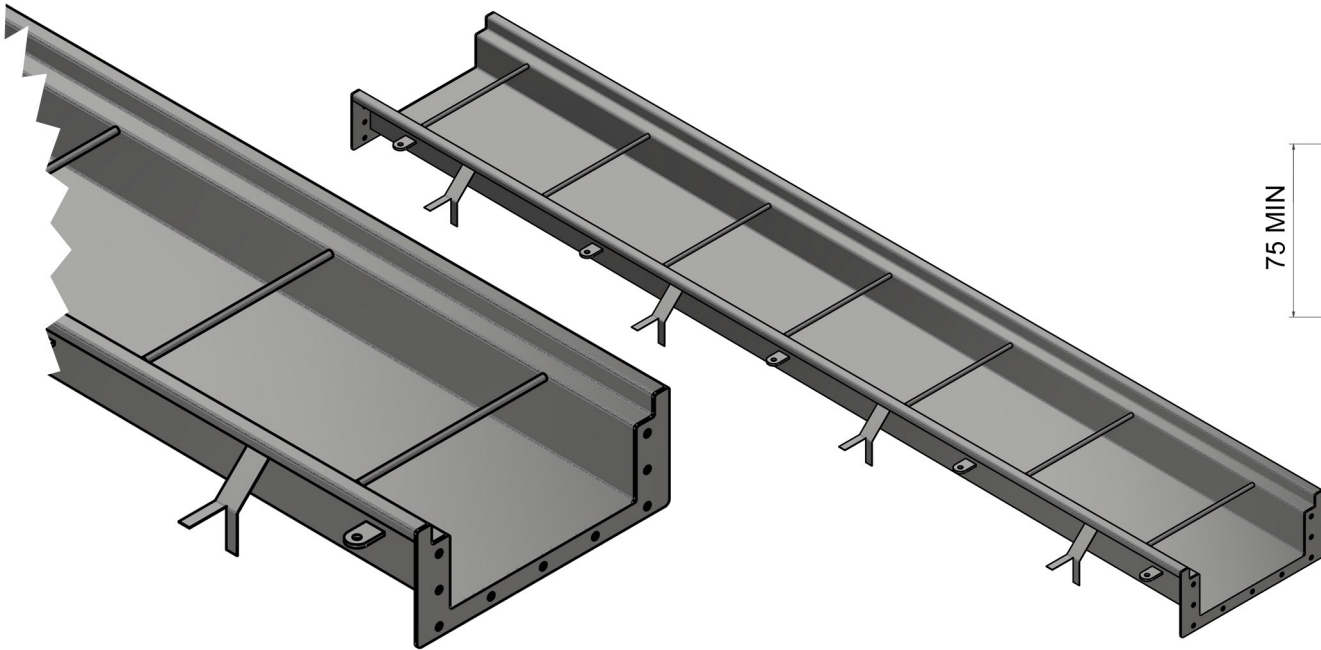


# GCT-IND FCM MODULAR BOX CHANNELS



## GCT-IND FCM Modular Box Channels

### Features

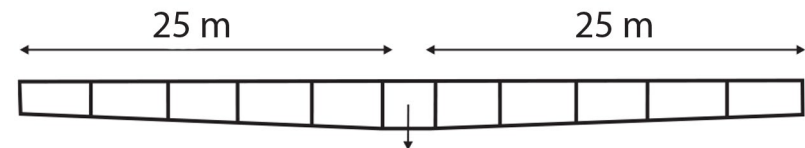
- Manufactured from 304 stainless steel (316 on special order)
- 1.5mm material thickness
- Supplied with adjustable levelling legs
- Grating or alternative solid cover available
- 344mm channel width is standard
- Compatible with GCT 200V or GCT 200H floor drain outlet

Standard GCT-IND FCM Modular Box Channels are designed with the bottom slope of 1/100 (1% fall) and do not require a slope of the floor for draining. GCT-IND FCM Modular Box Channels are manufactured in 2001mm sections with flanged ends to be bolted together on site with Nitrile sealing gaskets.

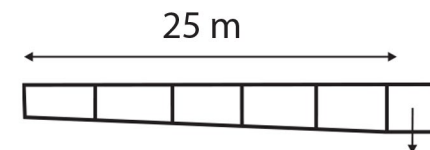
**Flow Rate:** Varies by choice of grating  
**Load Class:** K3 (PLAIN FOLDED EDGE)  
L15 (PLAIN FOLDED EDGE)  
R50 (SOLID STEEL EDGE)  
M125 (SOLID STEEL EDGE)  
N250 (SOLID STEEL EDGE)

### General Applications:

Ideal for higher flow areas with vessel or pipe discharge and washdown water run-off in food, dairy, beverage and pharmaceutical factories with solids.



Up to 50 metre modular 1% (1:100) slope to center outlet available



Up to 25 metre modular 1% (1:100) slope to side outlet available