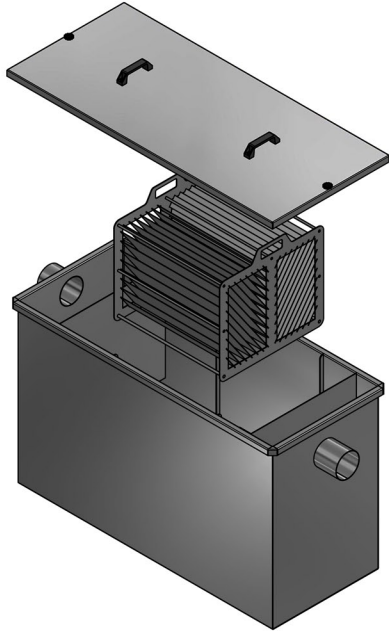


GCT-IND CFI1000/UG



GCT-IND CFI1000/UG Underground Oil-Water Separator

Features

Enhanced gravity separator for separation of all free/non-emulsified oils

- Advanced oil removal down to $\approx 5 - 10$ PPM with secondary polisher @ rated flow rate (**Optional**)
- Oil removal down to $\approx 10 - 20$ PPM @ rated flow rate
- Oil removal down to $\approx 5 - 10$ PPM @ de-rated flow rate
- Manufactured from 304 stainless steel (316 on special order)
- One (1) removable cross flow coalescer plate pack
- One (1) removable top cover with polyamide handles
- Suitable for below ground installations
- SENS-OIL™ high oil level sensor and alarm (**Optional**)
- Auto-shut-off valve (**Optional**)
- Tank anchor lugs (**Optional**)
- Designed to separate oils with a density of 0.91 g/cm^3
- Designed in accordance with API 421, Section 4

Rated Flow Rate: 1000L/hour (API 421 Standard)

De-Rated Flow Rate: 5L/sec (SANS 50858-1 & EN 858-1, Full retention, Class 1 Separator)

Max Oil Capacity: ≈ 75 L

Net Weight: 100KG

General Applications:

Vehicle wash-bays, petro-chemical plants, refineries, substations & stormwater run-off treatment etc

To be used in conjunction with the GCT-IND 300ST or 600ST sand trap

