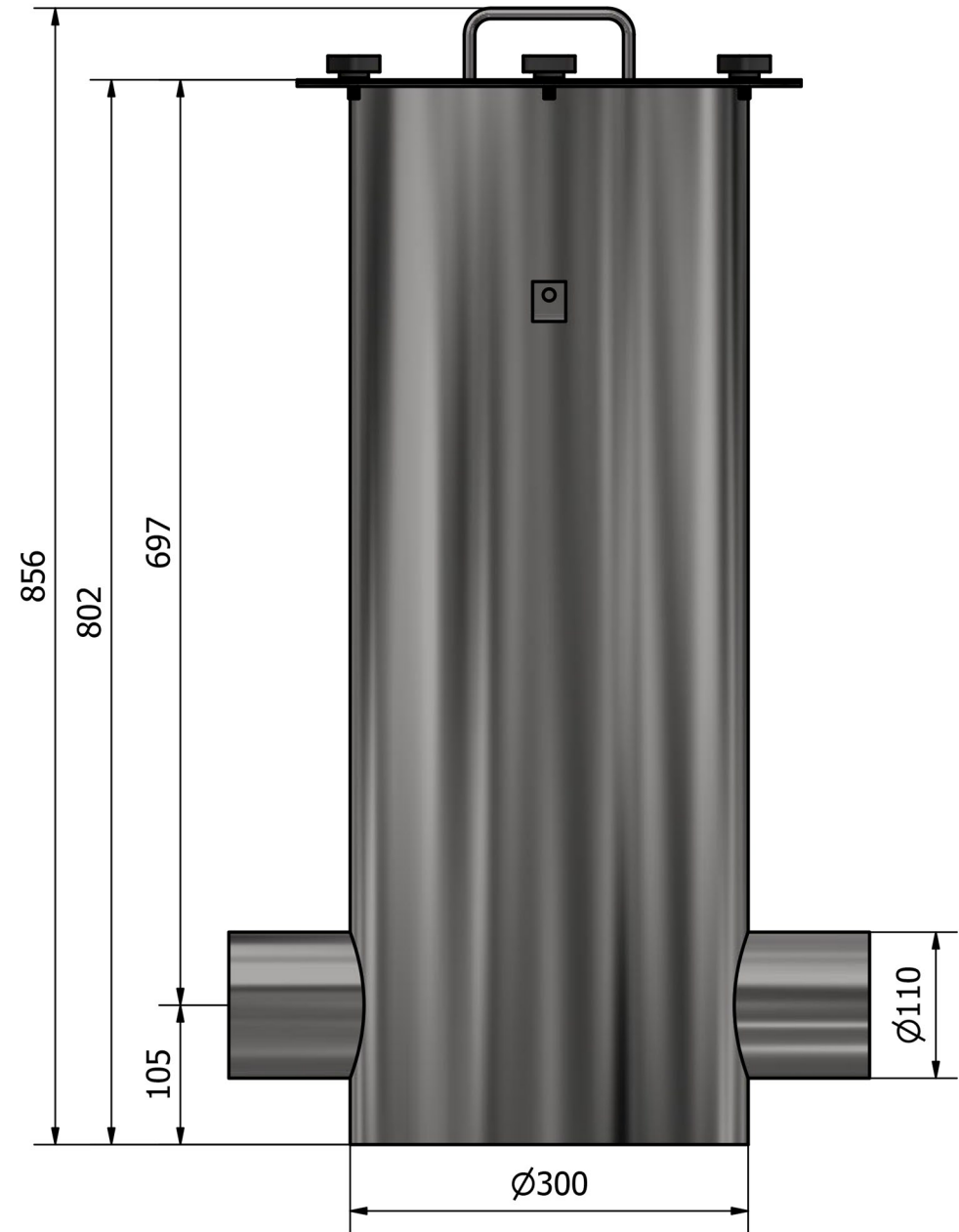
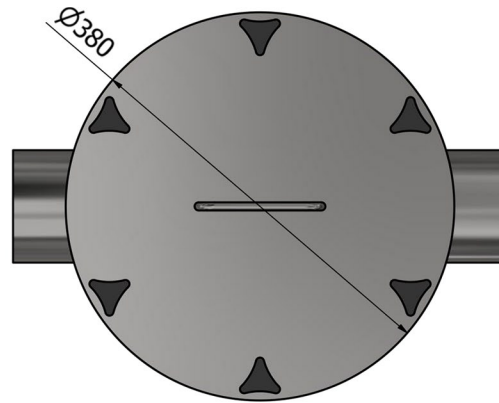
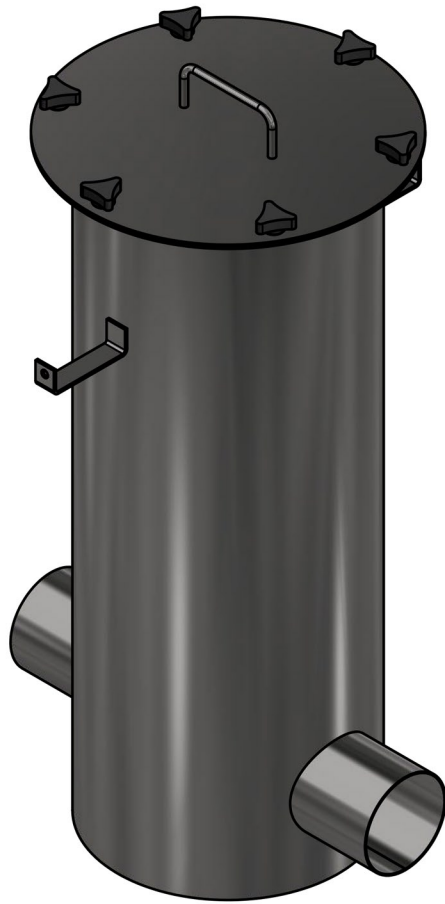


GCT-IND 800SP



GCT-IND 800SP Sample Point

Features

- Manufactured from 304 stainless steel (316 on special order)
- Compatible with standard plumbing fittings
- Fully pickled/ passivated body
- Horizontal (side) inlet & outlet pipe
- Easily accessible lid

Net Weight: 14.6KG

General Applications:

For applications where water sampling is required after the oil-water separator and/ or grease trap