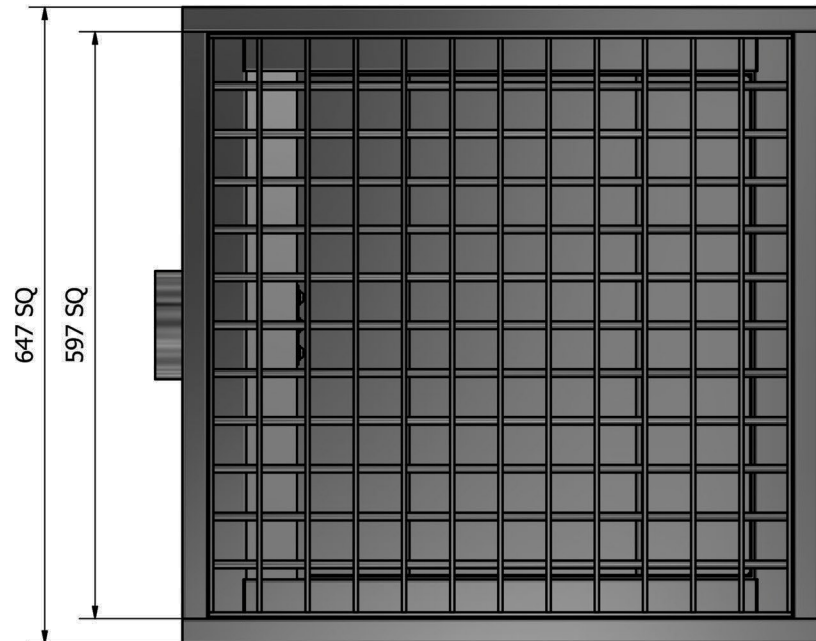
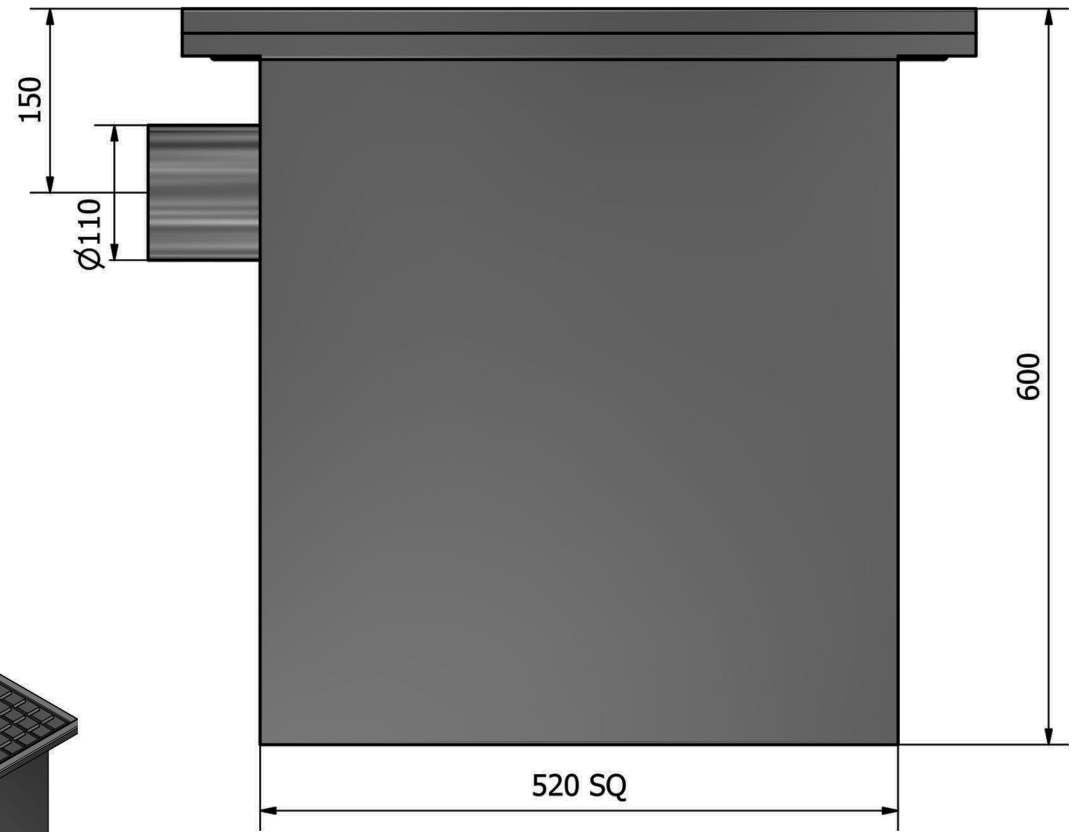
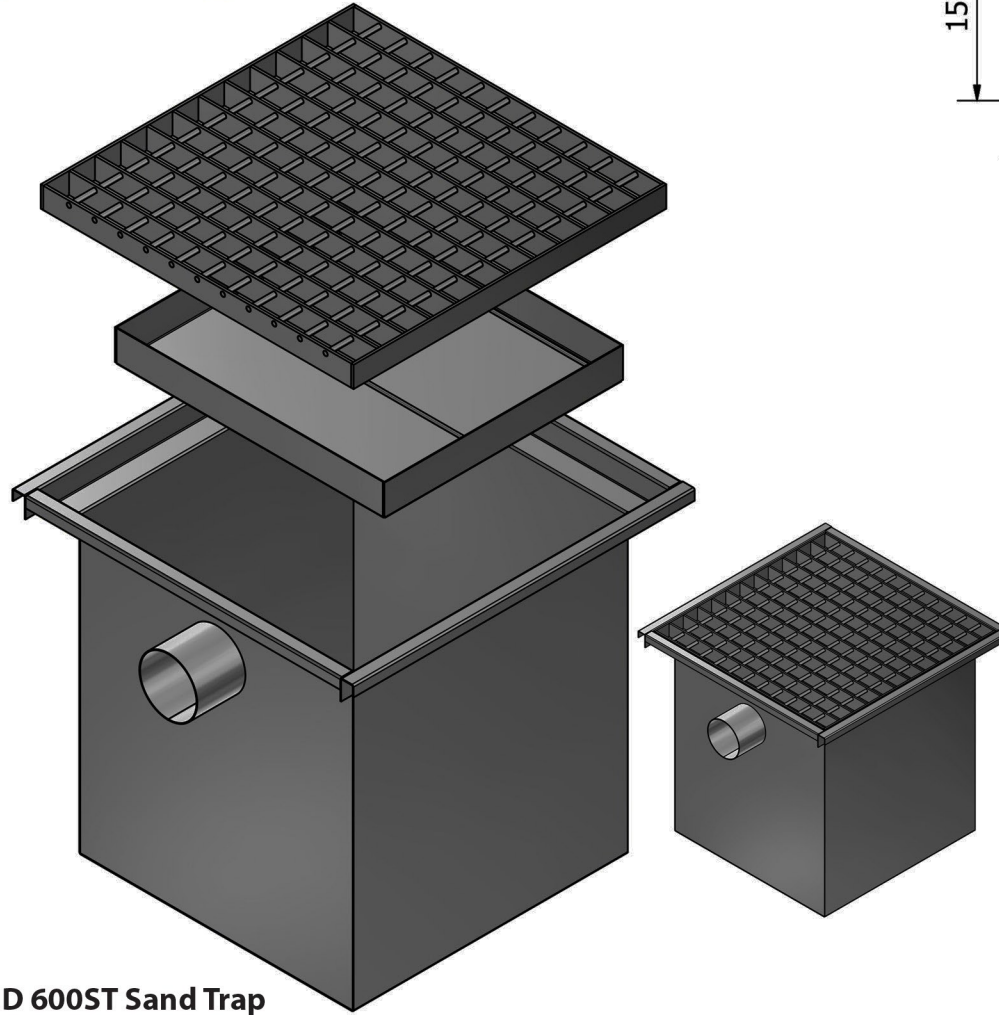


GCT-IND 600ST



GCT-IND 600ST Sand Trap

Features

- Manufactured from 304 stainless steel (316 on special order)
- Basket tray for easy removal of solids
- Removable stainless steel grating
- Fully accessible outlet pipe via inspection cover
- Compatible with standard plumbing fittings

Max allowable unfactored centre line load = 3000KG

Max allowable unfactored uniformly distributed load = 12000KG

Net Weight: 45KG

General Applications:

Vehicle wash-bays, petro-chemical plants, refineries, substations & stormwater run-off treatment etc