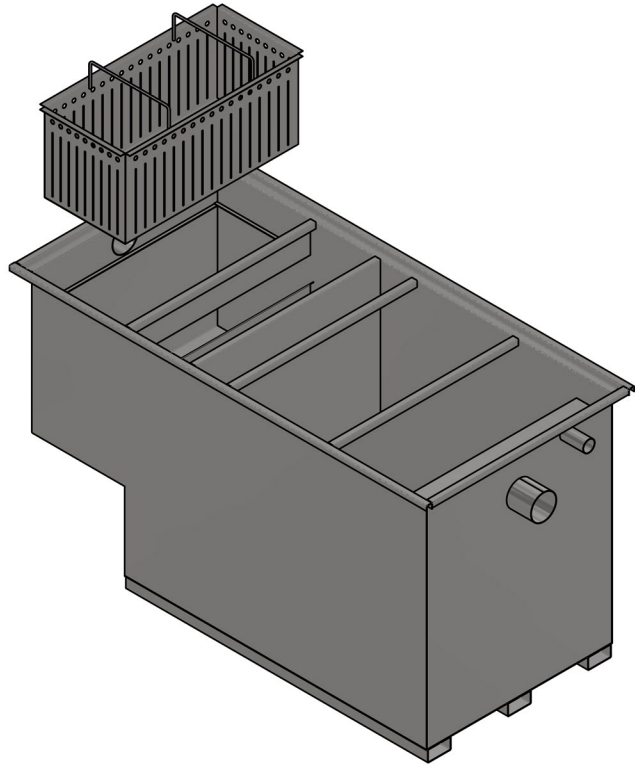


GCT-IND 4L/s/UG



GCT-IND 4L/s/UG Underground Grease (Fat) Trap

Features

- Manufactured from 304 stainless steel (316 on special order)
- Separated sludge trap & grease trap
- Slotted basket strainer for easy removal of solids
- Fully accessible outlet pipe via inspection cover
- Compatible with standard plumbing fittings
- Chamber vent pipe to prevent airlocking
- Smooth surfaces to prevent bacteria build up and promote ease of cleaning
- Suitable for below ground installations
- SANS 10252-2 compliant

Flow Rate: 4L/sec

Max Grease Capacity: ≈ 170KG

Net Weight: 150KG

General Applications:

Hotels, hospitals, food processing plants, commercial & industrial kitchens etc

To be used in conjunction with the GCT-IND 4M manhole cover

