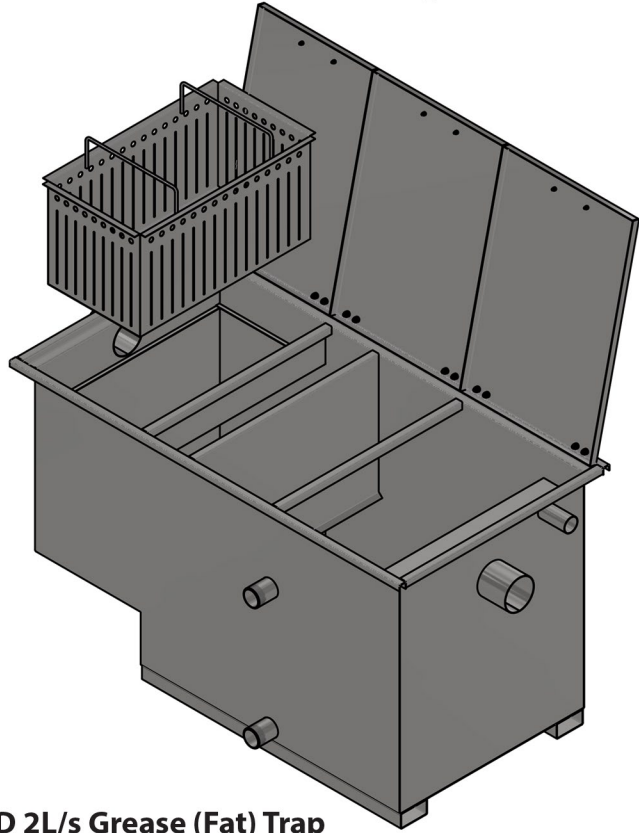


# GCT-IND 2L/s



## GCT-IND 2L/s Grease (Fat) Trap

### Features

- Manufactured from 304 stainless steel (316 on special order)
- Separated sludge trap & grease trap
- Slotted basket strainer for easy removal of solids
- Fully accessible outlet pipe via inspection cover
- Compatible with standard plumbing fittings
- Three (3) easily accessible hinged covers
- Fat take-off port for grease extraction
- Drainage port for emptying the grease trap
- Chamber vent pipe to prevent airlocking
- Smooth surfaces to prevent bacteria build up and promote ease of cleaning
- Suitable for above ground installations
- SANS 10252-2 compliant

**Flow Rate:** 2L/sec

**Max Grease Capacity:** ~ 85KG

**Net Weight:** 122KG

### General Applications:

Hotels, hospitals, food processing plants, commercial & industrial kitchens etc

