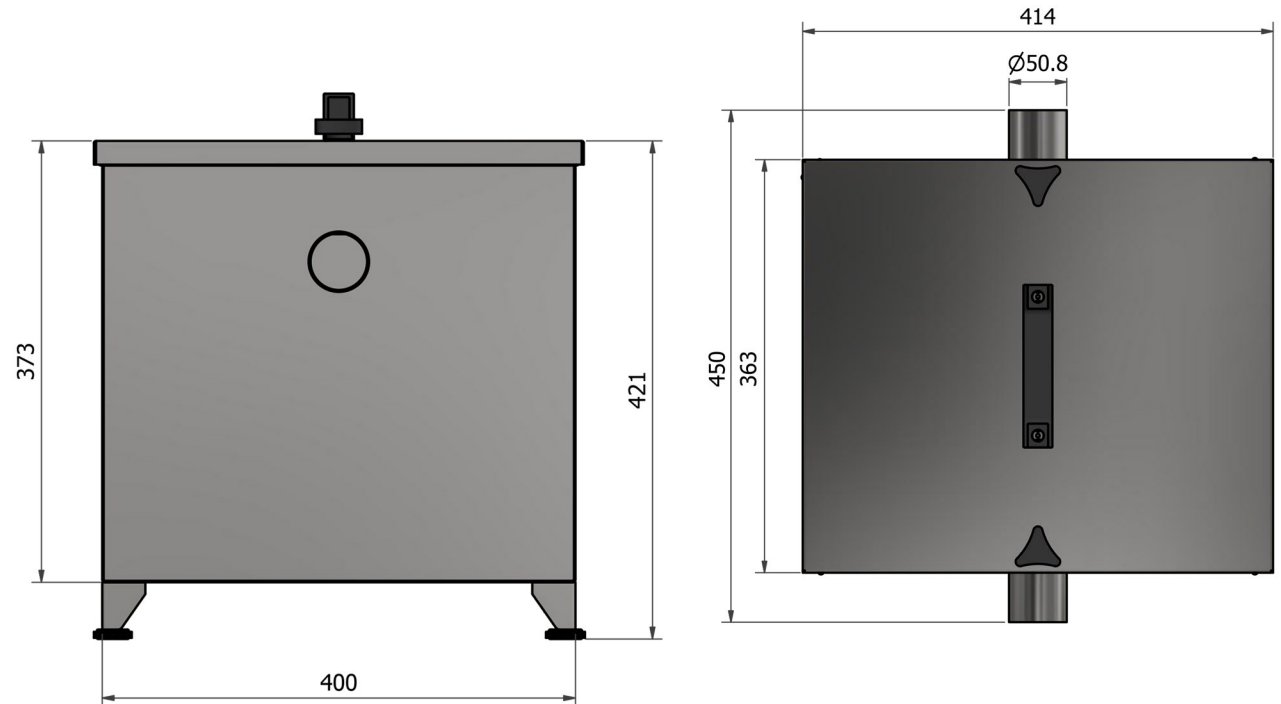
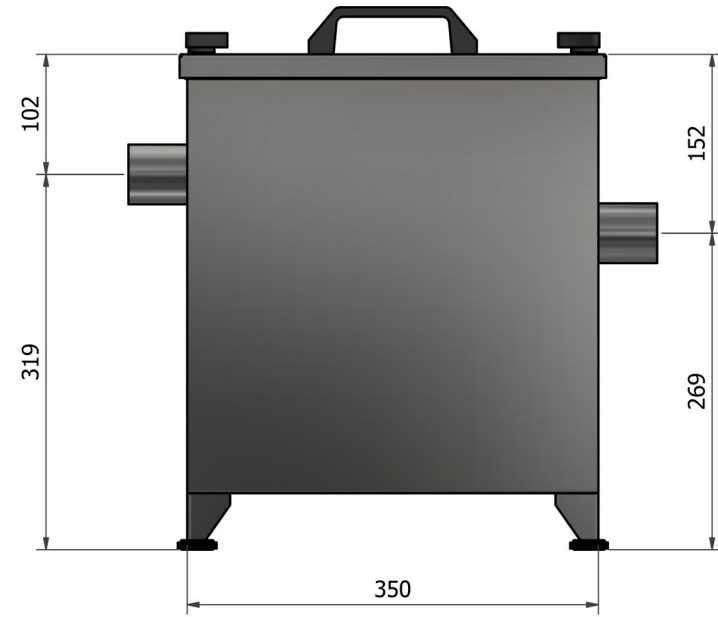
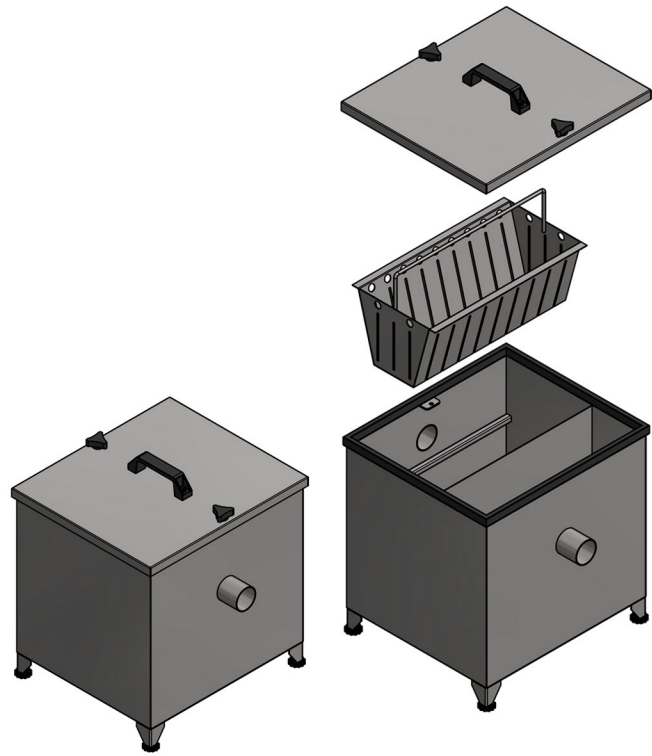


GCT-2G 350



GCT-2G 350 Grease (Fat) Trap

Features

- Manufactured from 304 stainless steel (316 on special order)
- Slotted basket strainer for easy removal of solids
- Compatible with standard plumbing fittings
- One (1) odour sealing cover with polyamide handle
- Adjustable legs
- Smooth surfaces to prevent bacteria build up and promote ease of cleaning
- Suitable for under/ beside sink installations
- Designed in accordance with SANS 10252-2

Flow Rate: 1L/sec

Max Grease Capacity: ≈ 7.5KG

Net Weight: 12KG

General Applications:

Fast food outlets, restaurants, commercial & industrial kitchens etc