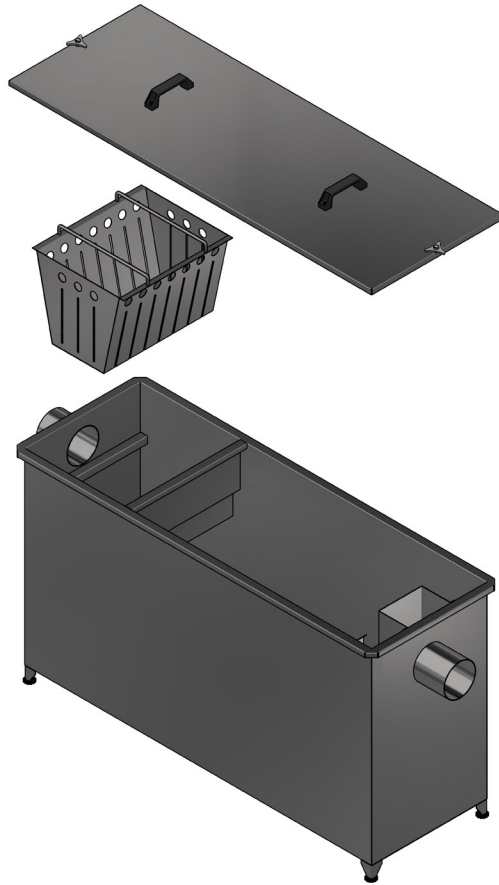


# GCT-2G 1200



## GCT-2G 1200 Grease (Fat) Trap

### Features

- Designed to serve 1 - 3 fixtures with a total flow rate  $\leq 4.5$  litres/ sec
- Manufactured from 304 stainless steel (316 on special order)
- One (1) slotted basket strainer for easy removal of solids
- Compatible with standard plumbing fittings
- One (1) easily accessible cover with polyamide handles
- Adjustable legs
- Suitable for above or below ground installations
- Designed in accordance with SANS 10252-2

**Flow Rate:** 4.5L/sec

**Max Grease Capacity:**  $\approx 50$ KG

**Basket Strainer Volume:**  $\approx 22$ L

**Net Weight:** 41KG

### General Applications:

Fast food outlets, restaurants & medium commercial kitchens etc

