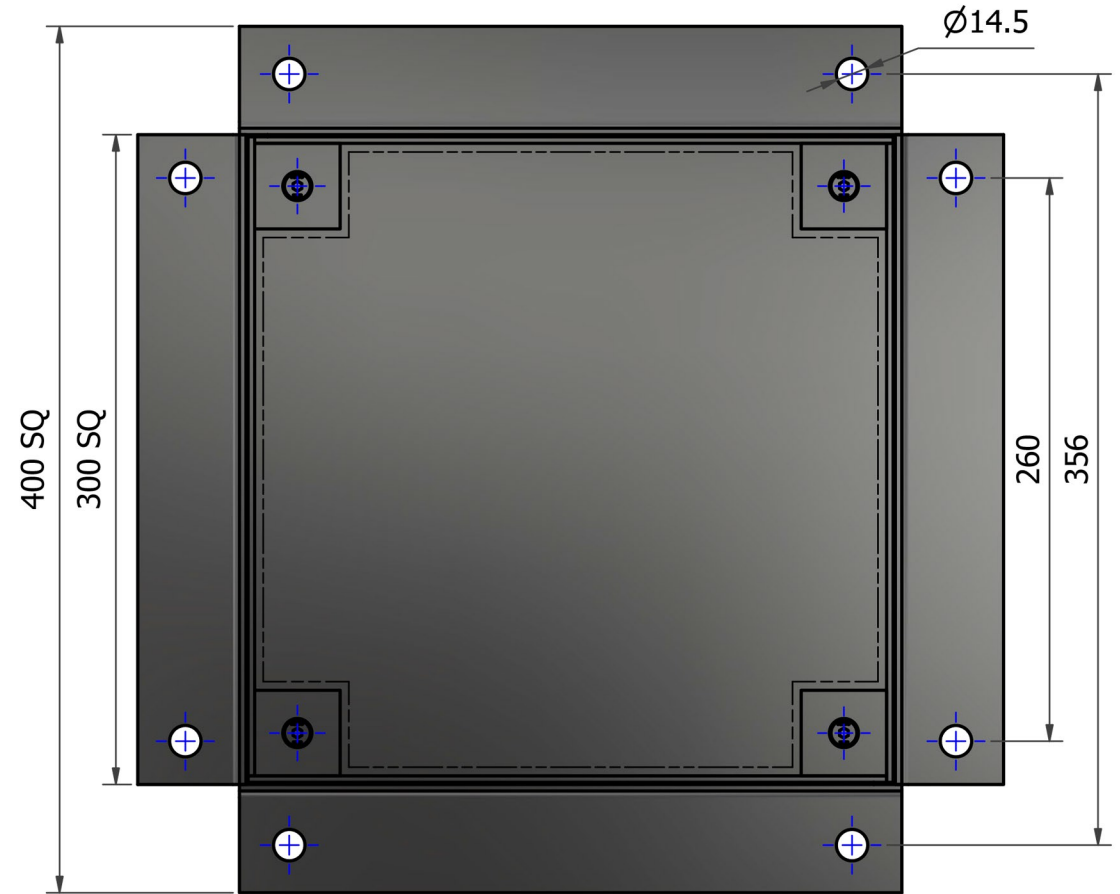
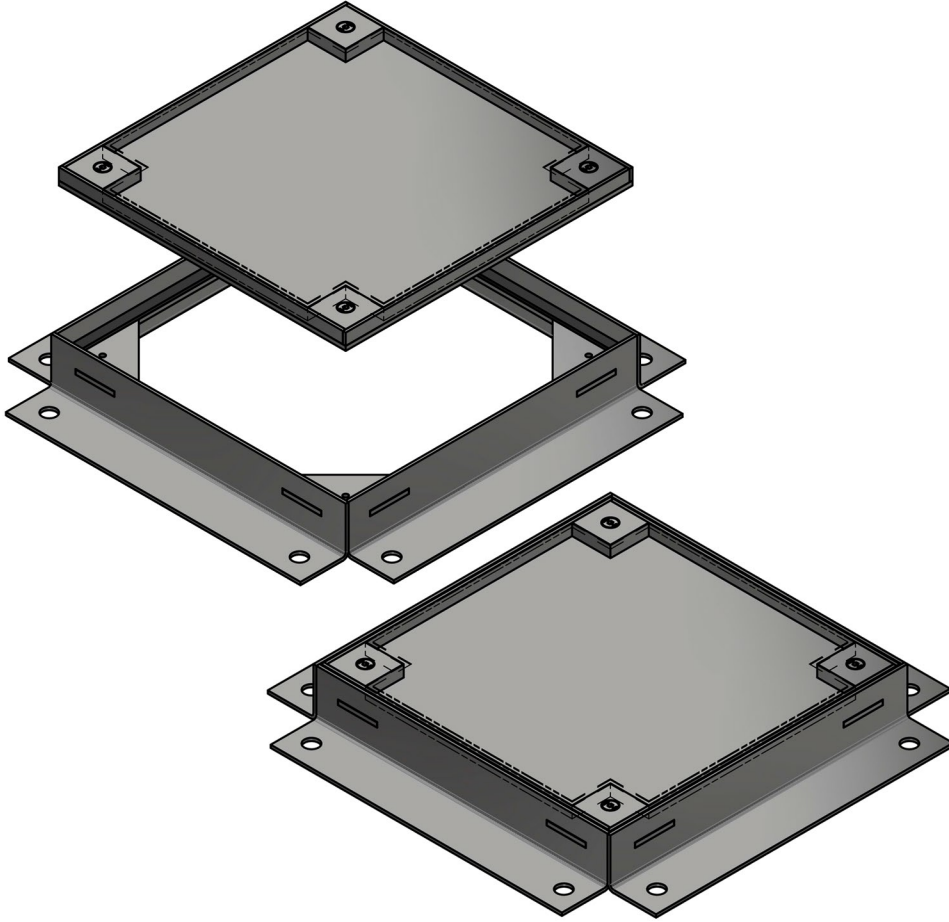


GCT 300RRC



GCT 300RRC Recessed Rodding Eye Cover

Features

- Manufactured from 304 stainless steel (316 on special order)
- 12mm recessed cover for tile/ tile adhesive
- External bolting flange
- Compatible with tiled floors
- Fully pickled/ passivated body
- Tamper-proof lid

Load Class: L15 (15kN) [without tile]

Net Weight: 7.7KG

General Applications:

Hotels, hospitals, shopping malls, supermarkets, hypermarkets etc