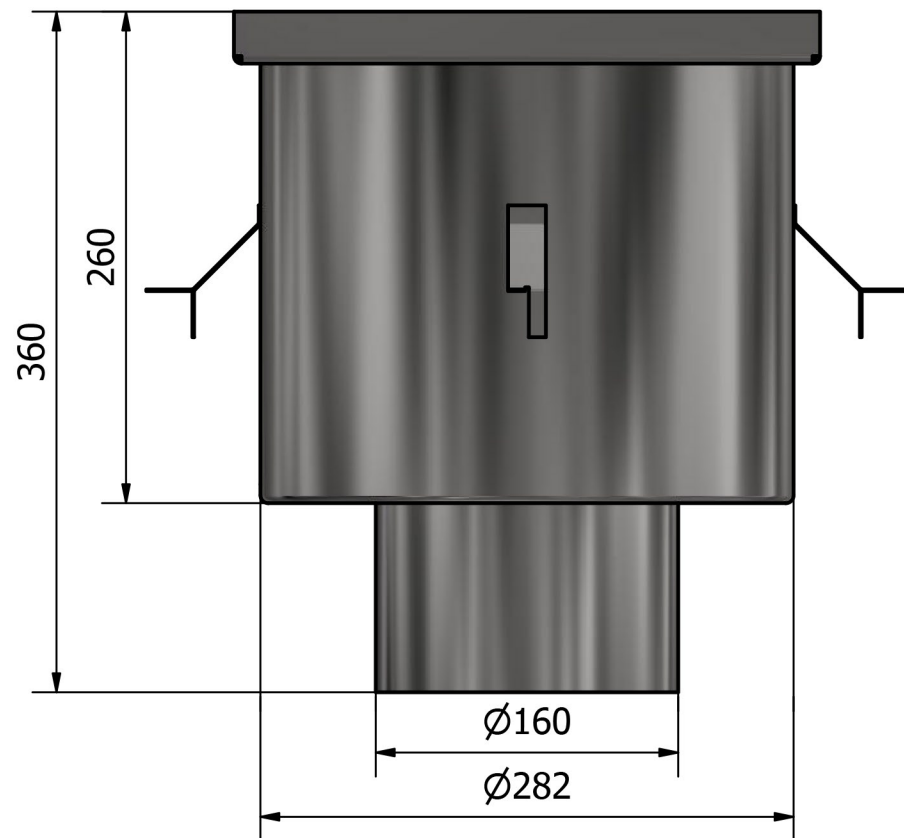
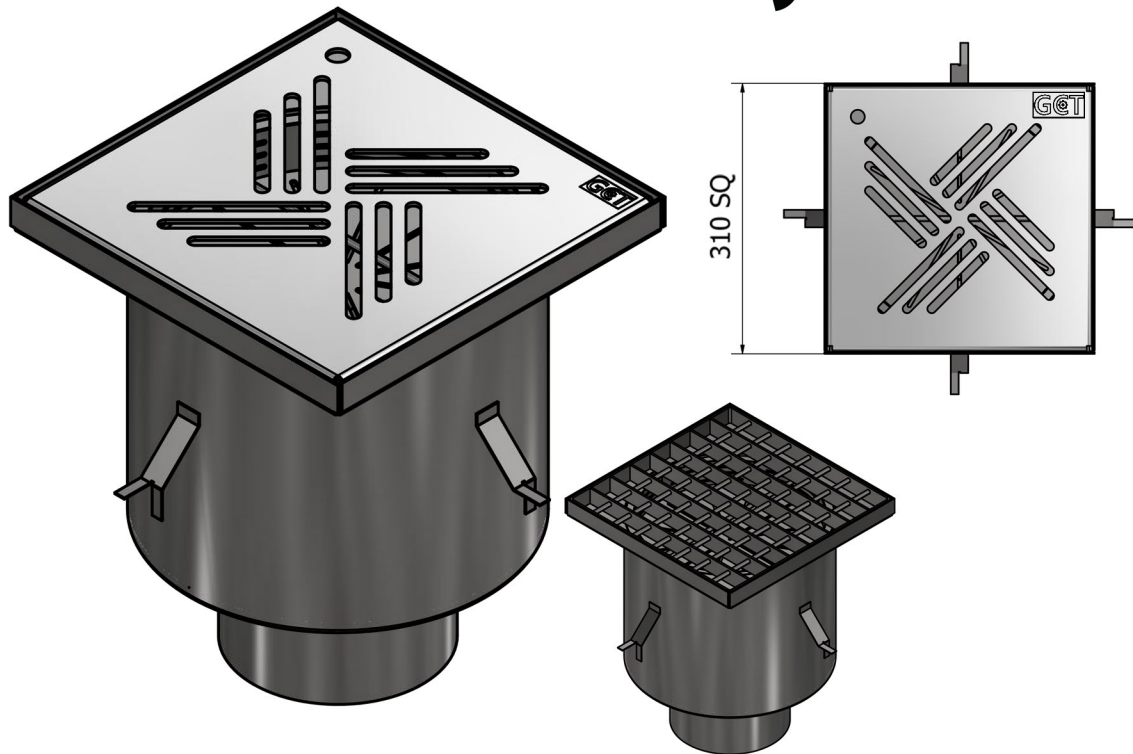


# GCT 282V Eurostyle™



## GCT 282V Eurostyle™ Floor Drain

### Features

- Manufactured from 304 stainless steel (316 on special order)
- Removable tamper-proof water seal assembly
- Compatible with standard plumbing fittings
- SANS 51253-1/ EN 1253-1 compliant 50mm water seal
- Compatible with tiled and epoxy floors
- Hygienic design as per EN 1672
- Fully pickled/ passivated body
- Vertical (bottom) outlet pipe
- Removable silt basket
- Alternative lid & edge option

**Flow Rate:** 4.3L/sec

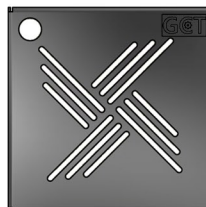
**Load Class:** K3 (3kN) [Standard]  
 L15 [Special Order]  
 R50 [Special Order]  
 M125 [Special Order]  
 N250 [Special Order]

**Net Weight:** 10KG

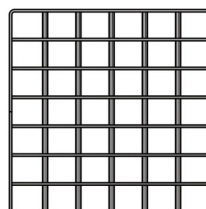
### General Applications:

Food processing plants, commercial & industrial kitchens etc

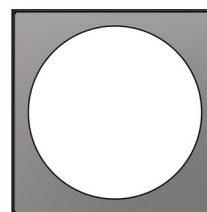
ALPHA LID  
(STANDARD)



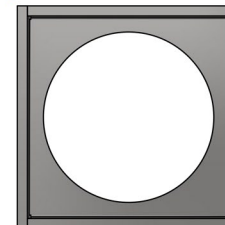
BETA LID  
(SPECIAL ORDER)



PLAIN EDGE  
(STANDARD)



SOLID EDGE  
(SPECIAL ORDER)



EXTENDED EDGE  
[THIN BED INSTALLATION]  
(SPECIAL ORDER)

