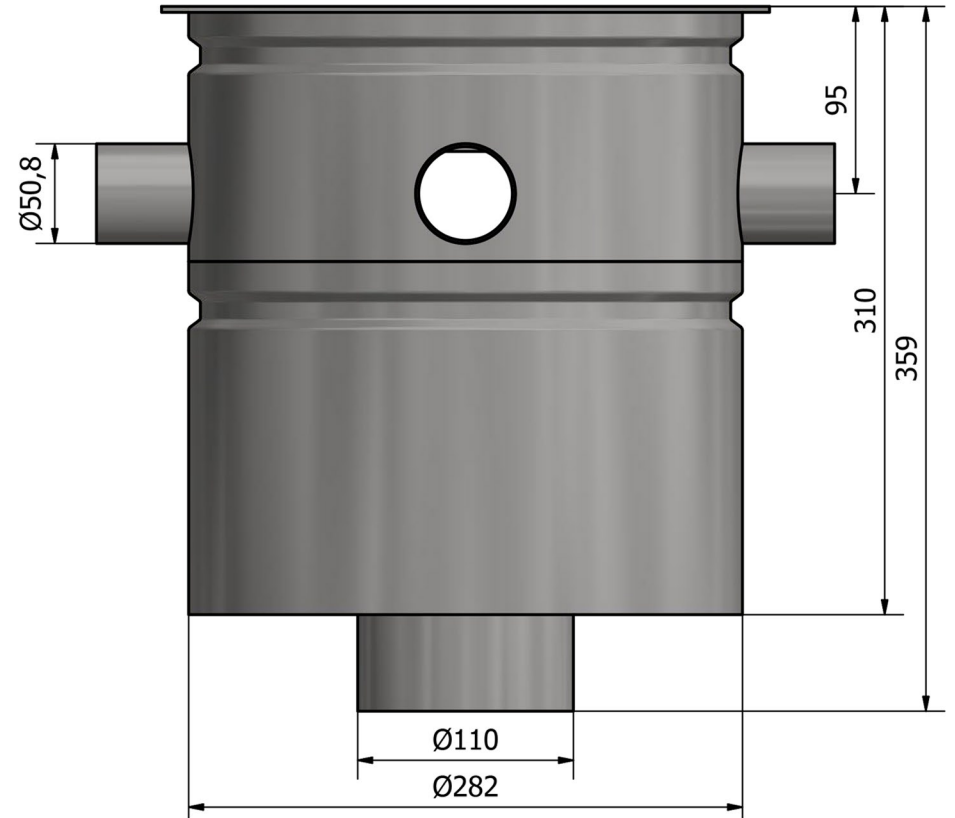
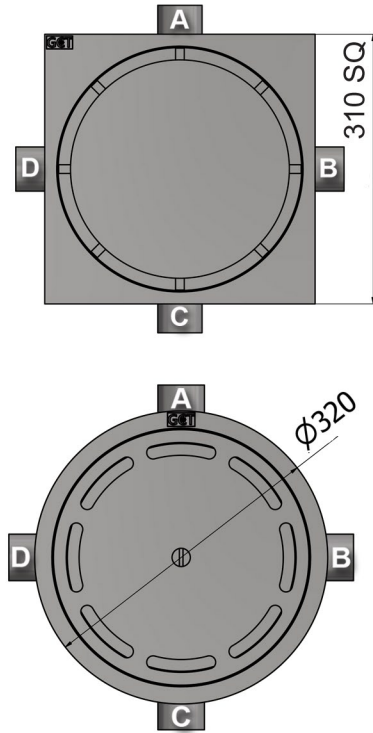
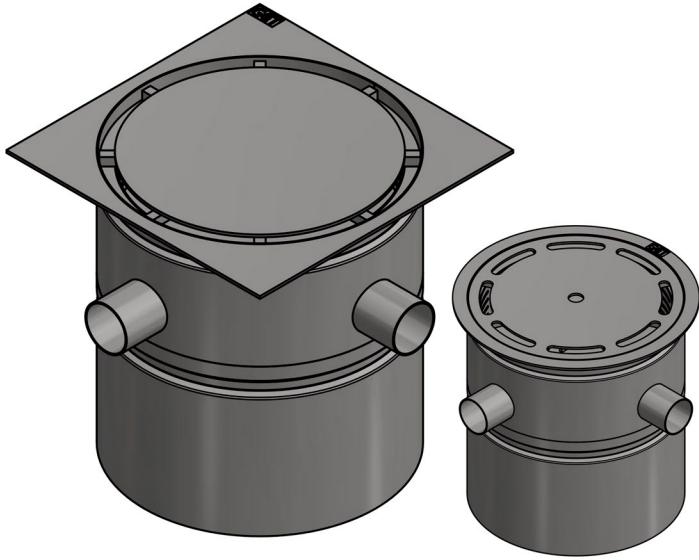


# GCT 280VSI

WITH SIDE INLETS 1-4



## GCT 280VSI Floor Drain

### Features

- Manufactured from 304 stainless steel (316 on special order)
- 1, 2, 3 or 4 side inlets (amount and position to be specified on order)
- Removable tamper-proof water seal assembly
- Compatible with standard plumbing fittings
- SANS 51253-1/ EN 1253-1 compliant 50mm water seal
- Compatible with tiled and epoxy floors
- Smooth body and hygienic joints
- Fully pickled/ passivated body
- Alternative lid & flange option
- Vertical (bottom) outlet pipe
- Removable silt basket

**Flow Rate:** 4.7L/sec

**Load Class:** K3 (3kN) [Standard]

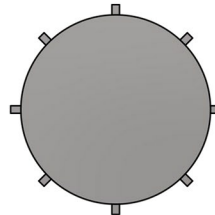
L15 (25kN) [Special Order] \*Beta Lid Only

**Net Weight:** 8.3KG

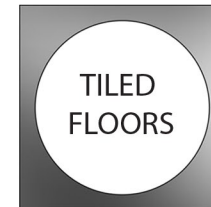
### General Applications:

Food processing plants, commercial & industrial kitchens etc  
**For applications where there is a need to connect sinks directly to the floor drain**

ALPHA LID  
**(STANDARD)**

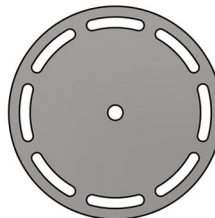


SQUARE FLANGE  
**(STANDARD)**



TILED  
 FLOORS

BETA LID  
**(SPECIAL ORDER)**



ROUND FLANGE  
**(SPECIAL ORDER)**



EPOXY  
 FLOORS