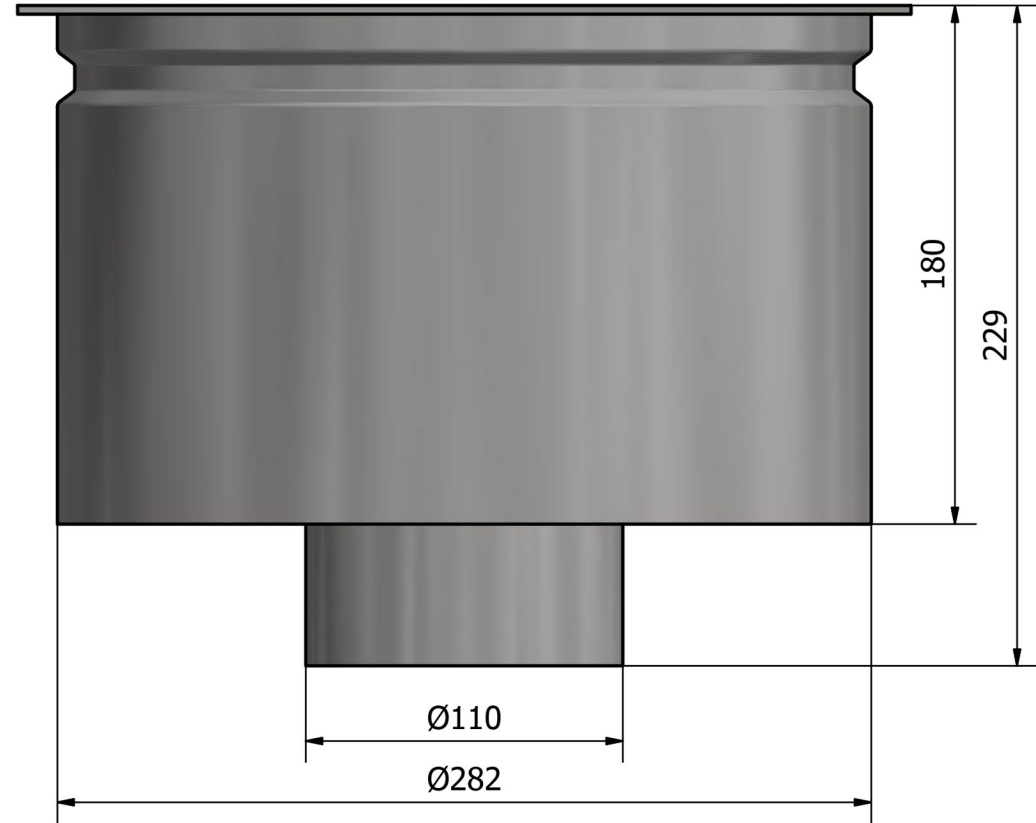
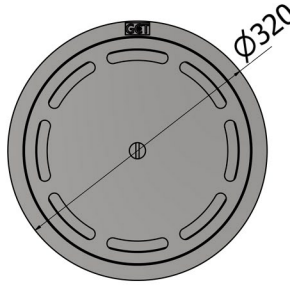
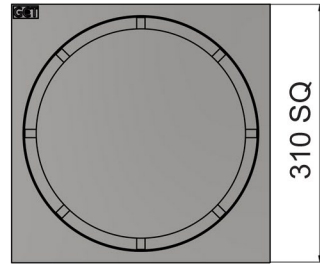
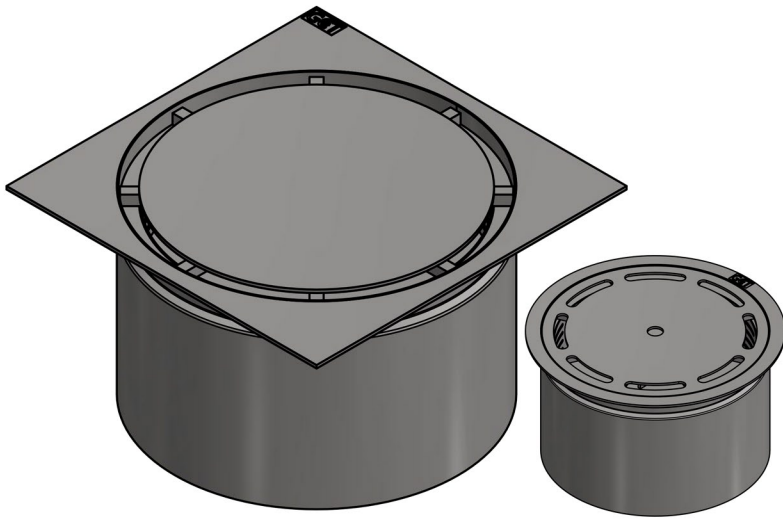


GCT 280V



GCT 280V Floor Drain

Features

- Manufactured from 304 stainless steel (316 on special order)
- Removable tamper-proof water seal assembly
- Compatible with standard plumbing fittings
- SANS 51253-1/ EN 1253-1 compliant 50mm water seal
- Compatible with tiled and epoxy floors
- Smooth body and hygienic joints
- Fully pickled/ passivated body
- Alternative lid & flange option
- Vertical (bottom) outlet pipe
- Removable silt basket

Flow Rate: 4.7L/sec

Load Class: K3 (3kN) [Standard]

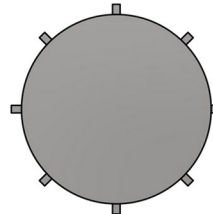
L15 (25kN) [Special Order] *Beta Lid Only

Net Weight: 6.9KG

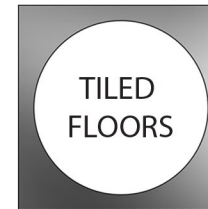
General Applications:

Food processing plants, commercial & industrial kitchens etc

ALPHA LID
(STANDARD)

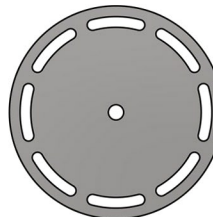


SQUARE FLANGE
(STANDARD)



TILED
FLOORS

BETA LID
(SPECIAL ORDER)



ROUND FLANGE
(SPECIAL ORDER)



EPOXY
FLOORS