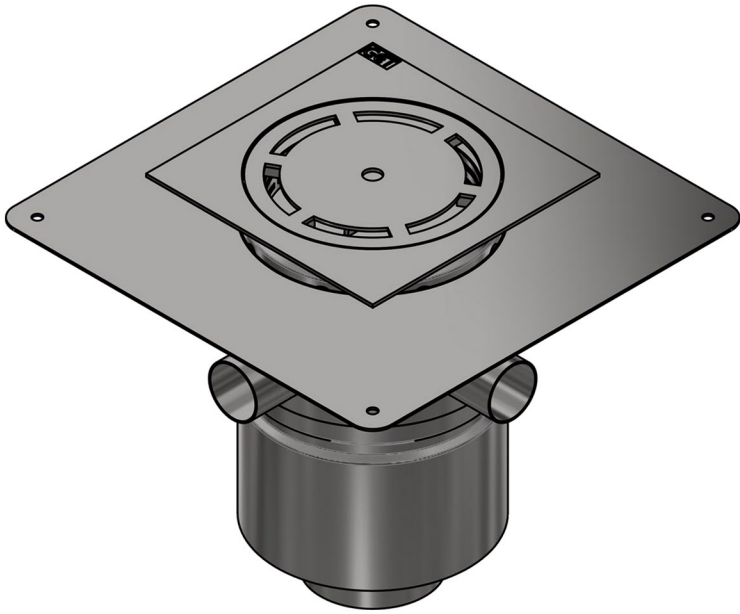


GCT 200VSI-A

WITH SIDE INLETS 1-4



GCT 200VSI-A Adjustable Floor Drain

Features

- Manufactured from 304 stainless steel (316 on special order)
- 1, 2, 3 or 4 side inlets (amount and position to be specified on order)
- SANS 51253-1/ EN 1253-1 compliant 50mm water seal
- Friction lock 3 - 40mm height adjustment
- Adhesive bonding flange for waterproofing
- Special design allows for seepage drainage
- 360° rotatable top
- Compatible with tiled floors
- Smooth body and hygienic joints
- Fully pickled/ passivated body
- Vertical (bottom) outlet pipe
- Removable silt basket

Flow Rate: 2.3L/sec

Load Class: K3 (3kN)

Net Weight: 7.6KG

General Applications:

Food processing plants, commercial & industrial kitchens etc
For applications where there is a need to connect sinks
directly to the floor drain

