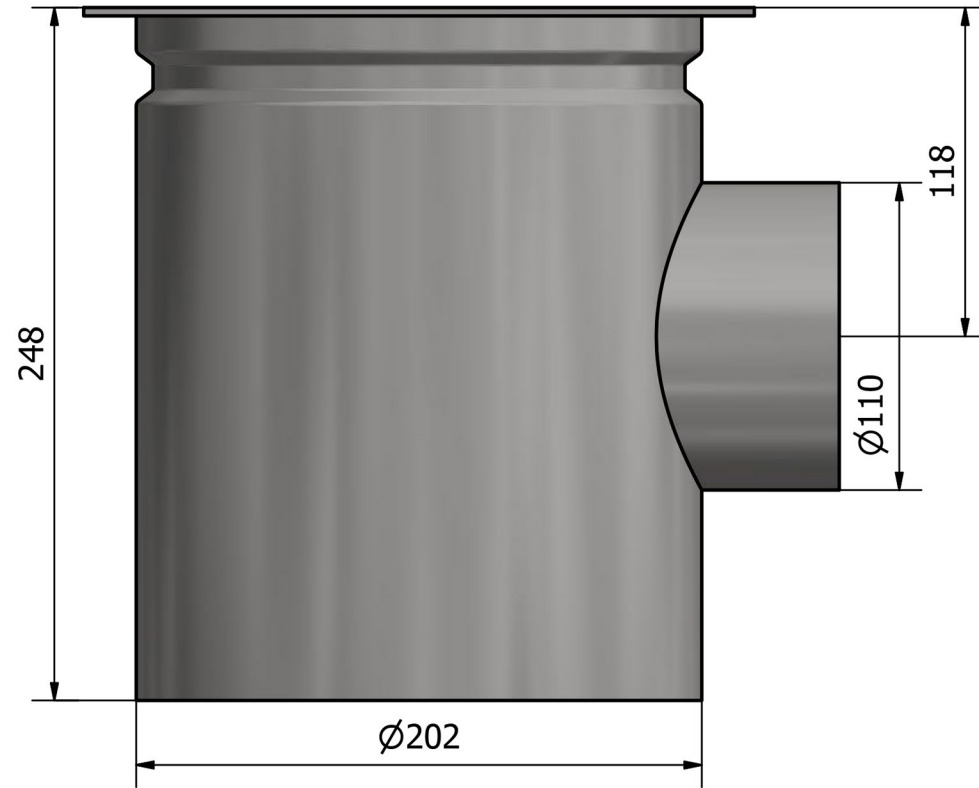
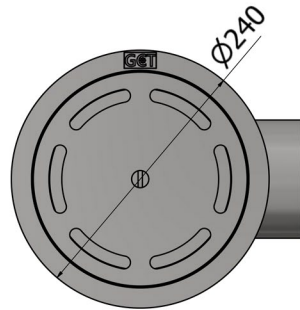
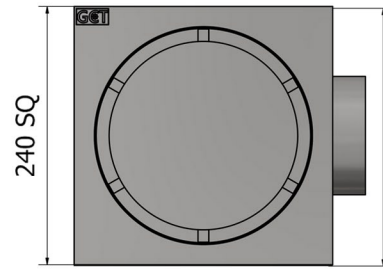
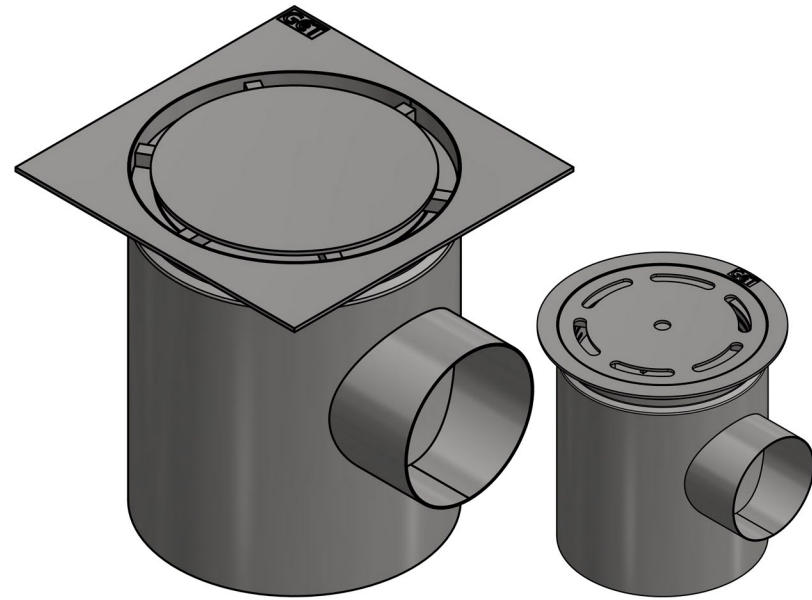


# GCT 200H



## GCT 200H Floor Drain

### Features

- Manufactured from 304 stainless steel (316 on special order)
- Removable tamper-proof water seal assembly
- Compatible with standard plumbing fittings
- SANS 51253-1/ EN 1253-1 compliant 50mm water seal
- Compatible with tiled and epoxy floors
- Smooth body and hygienic joints
- Fully pickled/ passivated body
- Alternative lid & flange option
- Horizontal (side) outlet pipe
- Removable silt basket

**Flow Rate:** 3L/sec

**Load Class:** K3 (3kN) [Standard]

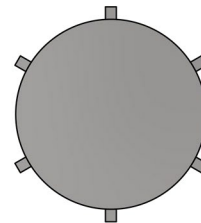
L15 (25kN) [Special Order] \*Beta Lid Only

**Net Weight:** 4.4KG

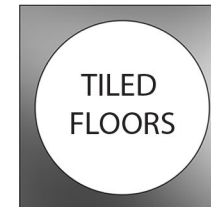
### General Applications:

Food processing plants, commercial & industrial kitchens etc

ALPHA LID  
(STANDARD)

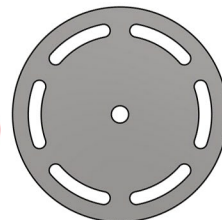


SQUARE FLANGE  
(STANDARD)



TILED  
FLOORS

BETA LID  
(SPECIAL ORDER)



ROUND FLANGE  
(SPECIAL ORDER)



EPOXY  
FLOORS