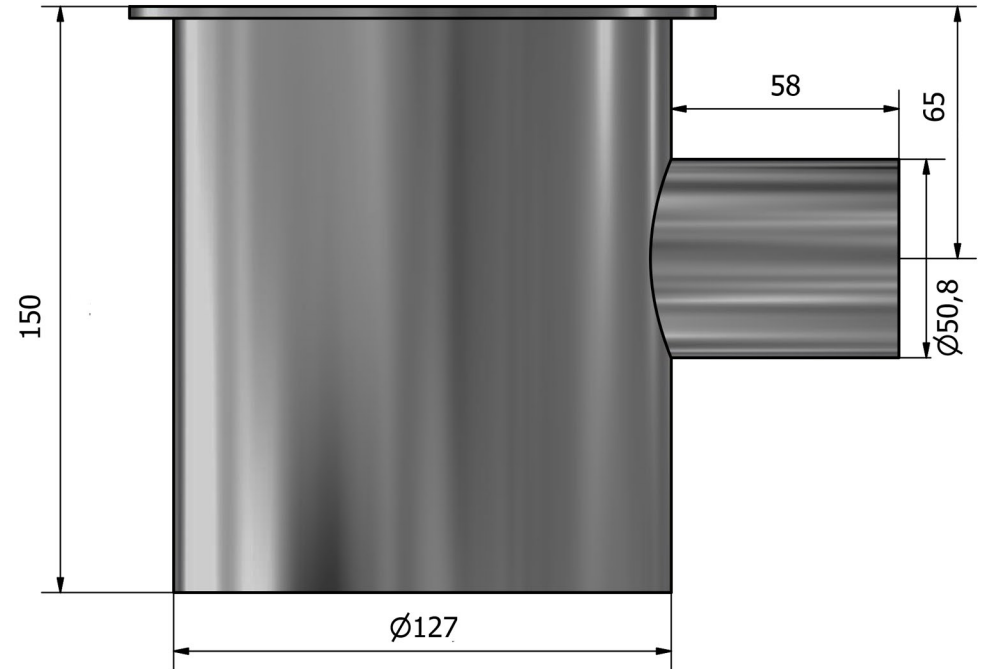
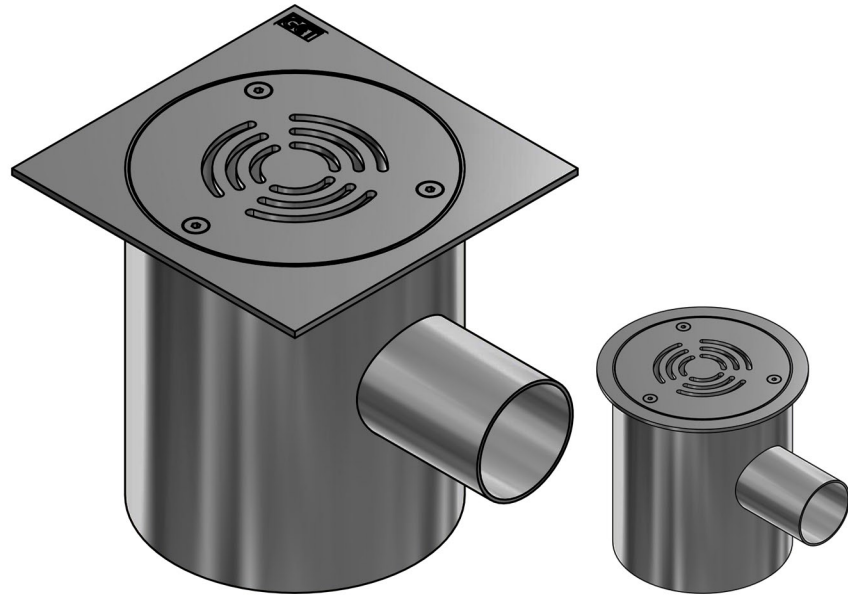


GCT 150SH



GCT 150SH Shower Drain

Features

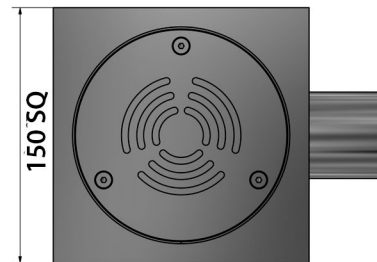
- Manufactured from 304 stainless steel (316 on special order)
- Removable non-slip grating
- Unique 40mm water seal
- Compatible with standard plumbing fittings
- Fully pickled/ passivated body
- Alternative lid & flange option
- Horizontal (side) outlet pipe

Flow Rate: 0.8L/sec
Load Class: K3 (3kN)
Net Weight: 1.9KG

General Applications:

Residential & public showers, health gyms & health spa's etc

SQUARE FLANGE
(STANDARD)



ROUND FLANGE
(SPECIAL ORDER)

Ø150

