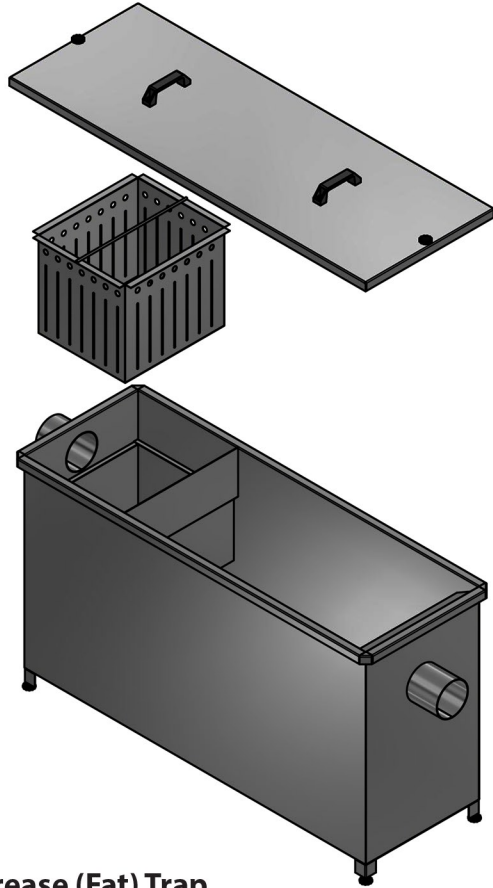


# GCT 1200



## GCT 1200 Grease (Fat) Trap

### Features

- Manufactured from 304 stainless steel (316 on special order)
- Slotted basket strainer for easy removal of solids
- Fully accessible outlet pipe via inspection cover
- Compatible with standard plumbing fittings
- One (1) easily accessible cover with polyamide handles
- Adjustable legs
- Smooth surfaces to prevent bacteria build up and promote ease of cleaning
- Suitable for below or above ground installations
- Designed in accordance with SANS 10252-2

**Flow Rate:** 4L/sec

**Max Grease Capacity:** ≈ 45KG

**Net Weight:** 49KG

### General Applications:

Fast food outlets, restaurants, commercial & industrial kitchens etc

